



# Arlink 8000 Workstation

## Instructions for Assembly

- Introduction
- Basic Frame Assembly
- Worksurface Assembly
- Drawer and Light Fixture Assembly
- Micro Slot Accessory Mounting
- Macro Slot Accessory Mounting
- Worksurface Grounding Instructions
- Wrist Strap Receptacle Grounding & Cleaning

Making Workspace Work® is a trademark of Lista International Corporation.

Creation Date	Document Number	Rev	Description
Feb/01/06	AS80026	B	Arlink 8000 Workstation

This manual is proprietary information of Lista International Corporation. Unauthorized reproduction of any portion of the manual is prohibited without consent of Lista International Corporation. The material in this manual is for informational purposes only. It is subject to change without notice. Lista International Corporation assumes no responsibility for any typographical errors contained in the manual.

© 2006 by Lista International Corporation, all rights reserved.  
106 Lowland Street  
Holliston, MA 01746-2094  
E-mail: sales@listaintl.com

All rights reserved.

For questions or technical support, call 1-800-722-3020  
ISO 9001 Certified

# Table of Contents

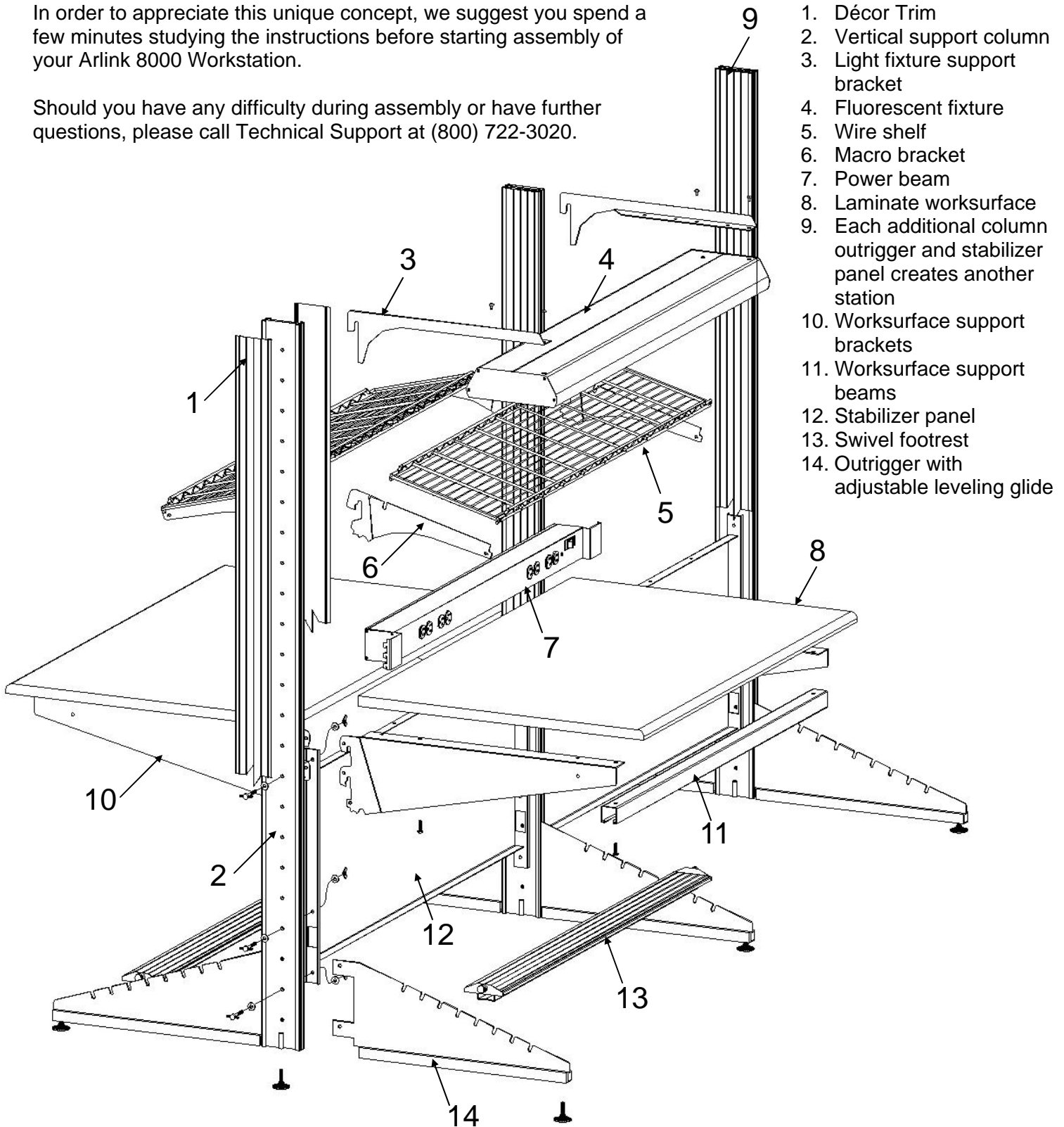
Arlink 8000 Introduction .....	3	Tool Trolley Track .....	7
Basic Frame .....	4	Micro Slot Accessories .....	7
Single Station .....	4	Modesty Panel .....	7
In-Line Station .....	4	Powerbeam .....	7
Alignment .....	4	Parts Bin Rail .....	7
Standard Worksurface .....	5	Part Bin Rail Accessories .....	7
Round or Straight Back Corner ...	5	Airbeam .....	8
Square Corner .....	5	Steel Shelf .....	8
Rear Corner Support Leg .....	5	Open Wire Shelf .....	8
Drawer, Tote Box & CPU Holder .....	6	Swing Arm System .....	8
Upright Trim .....	6	Grounding Static Protected Worksurfaces .....	9
Parabolic .....	6	Common Point Ground Block .....	9
Fluorescent Fixture .....	6	SC12 Dual Wrist Strap Receptacle .....	10
Light Trim .....	6	Laminate Cleaning .....	10

# Arlink 8000

## Assembly Instructions

In order to appreciate this unique concept, we suggest you spend a few minutes studying the instructions before starting assembly of your Arlink 8000 Workstation.

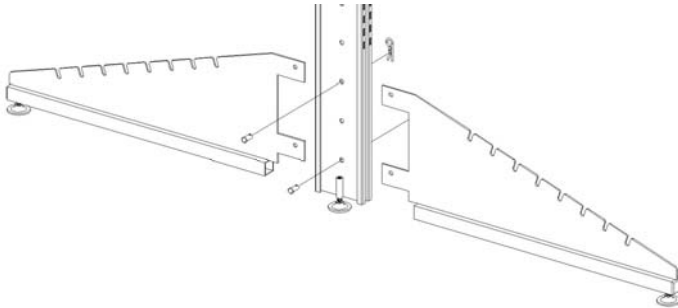
Should you have any difficulty during assembly or have further questions, please call Technical Support at (800) 722-3020.



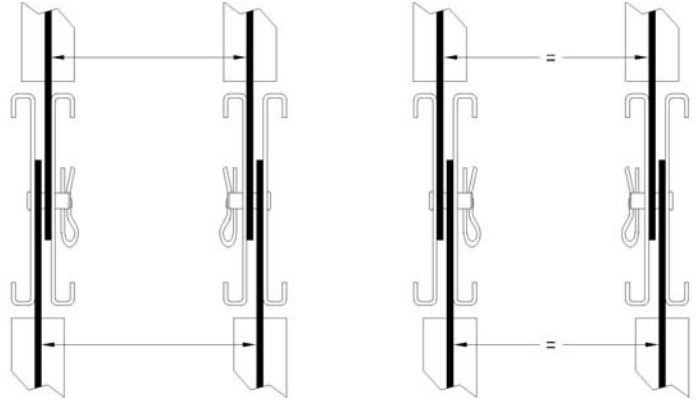
## Basic Frame Assembly

Install all leveling glides before starting assembly. The column glide should only be threaded half way into the column, while the outrigger glides should be threaded into the outriggers their full length.

Install outriggers by inserting the tongues of the outrigger into the center slot or Macro slot of the column. Secure with clevis pins through the tongues of the outrigger, then insert the retainer through the hole in the clevis pin. Outriggers must be positioned as shown below to ensure correct alignment of the in-line system as well as correct alignment for footrest mounting.



Single Station Assembly



In-line Assembly

Stabilizer panels are mounted between the columns with "T" bolts. Usually these are mounted through the second, fourth, and ninth holes from the bottom of the columns.

The access slot in the stabilizer channel should be positioned over the third hole from the bottom of the column to provide access to the outrigger clevis pin and retainer.

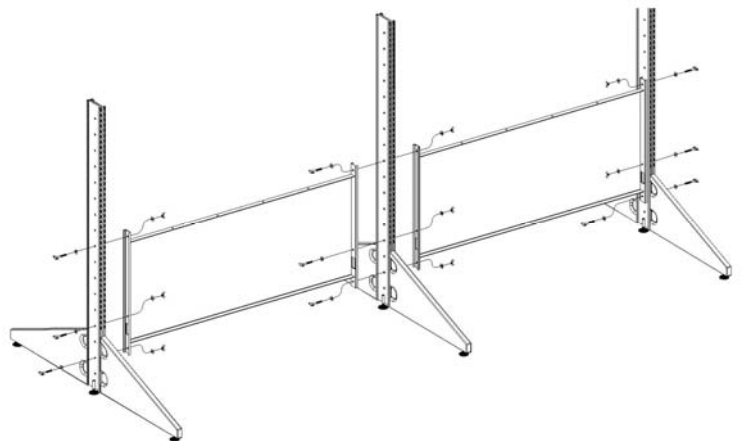
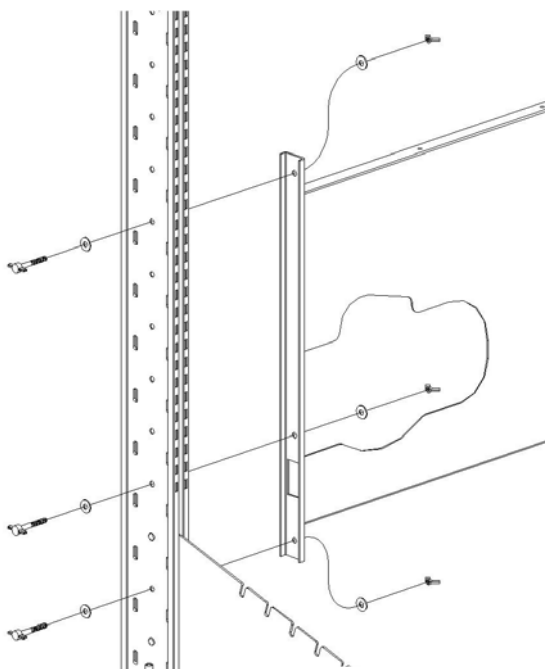
Mount the stabilizer using the 1/4-20 x 2" "T" bolts, 1/4" washers, and 1/4-20 wing nuts provided.

Begin by assembling all columns and outriggers. Then assemble the first column and stabilizer in the manner described previously. The middle column will have two stabilizers mounted to it. Therefore you must bolt through the column and both stabilizers. This procedure is repeated for each successive workstation. At the last column of your in-line station ensure the "T" bolt is facing the stabilizer panel.

### Alignment

Alignment of the system is necessary at this point. The columns must be both vertically and horizontally aligned. This can be accomplished by using a level, and adjusting the glides. Floor glides must be adjusted so that each column supports equal weight.

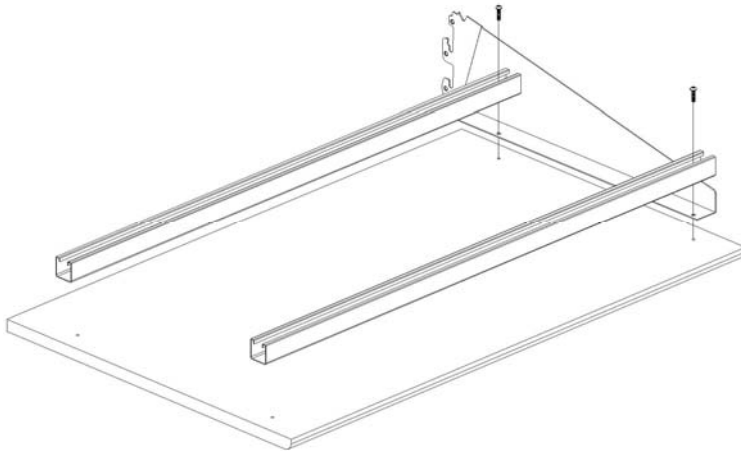
**NOTE:** Alignment should be re-checked after accessories are installed.



## Worksurface Assembly

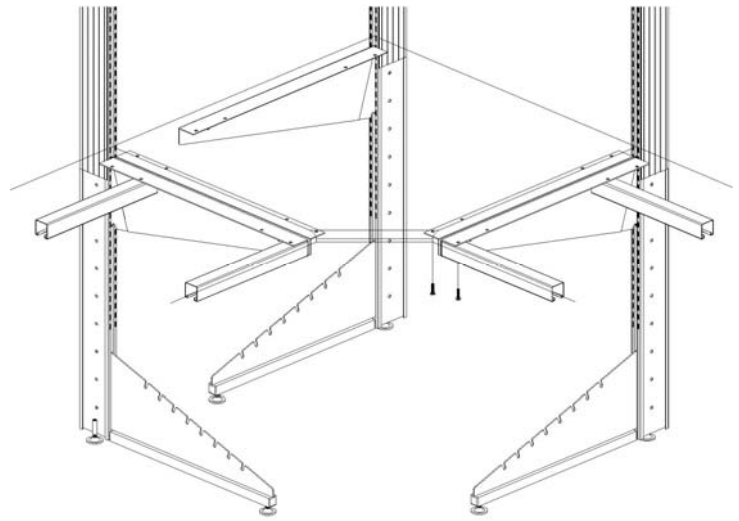
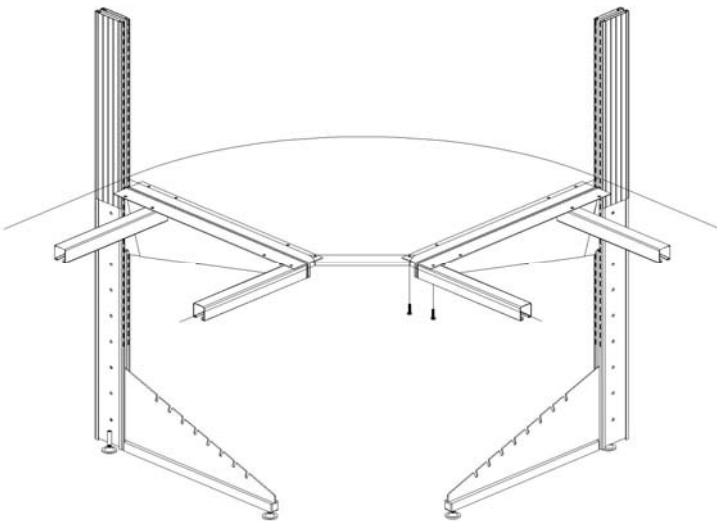
Place the worksurface face down on a smooth surface to prevent damage. Place the worksurface brackets and support beams in their proper locations as shown below. Install the four 1/4"-20 x 1" machine screws provided and tighten once all are in place.

**NOTE:** If you have drawers on your system now is the time to hang them. (See drawer mounting instructions).



Round Corner or Straight Back Corner  
Worksurface

These worksurfaces are mounted between two 90° adjacent modules. They require one pair of worksurface support brackets. Place the worksurface in the desired location and fasten the support brackets using the four 1/4"-20 x 3/4" machine screws provided and tighten once all are in place.

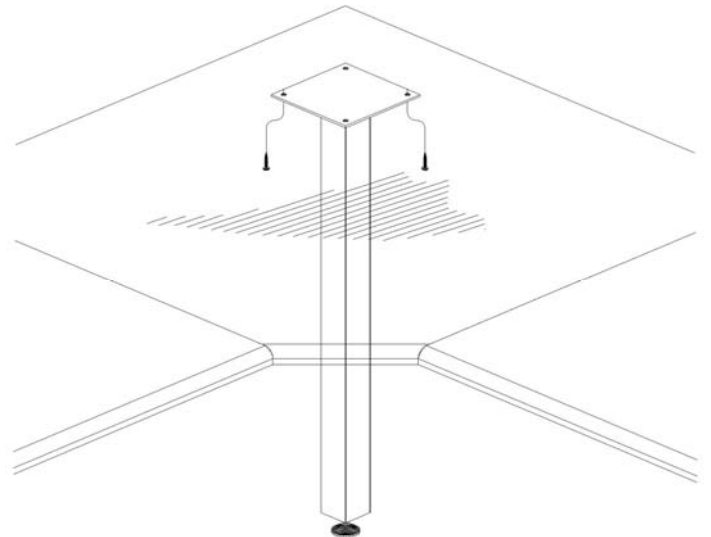


Square Corner Worksurface

This worksurface assembly requires it's own 36" module (starter or adder) and support brackets as shown. Two pair of worksurface support brackets are supplied. (Only three brackets are actually required). Place the worksurface in the desired location and fasten the support brackets using the six 1/4"-20 x 3/4" machine screws provided and tighten once all are in place.

Rear Corner Leg Support

This worksurface is mounted using one pair of worksurface support brackets. Place the worksurface on the brackets. Adjust the height of the leg relative to the worksurface by unfastening the screw at the bottom of the leg assembly and sliding the inner tube up or down as required. Line up the threaded insert and fasten. Fine adjustments can be done with the leveling glide. Now slide the rear leg to the back corner of the worksurface approximately 2" from either side and fasten to the worksurface using the wood screws provided.

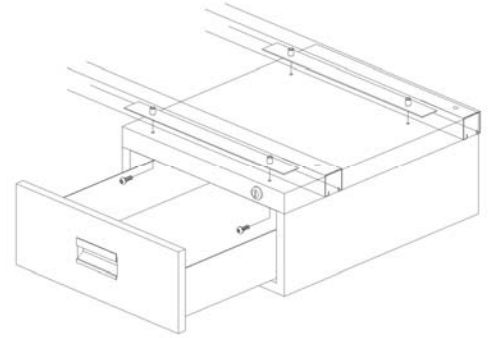


## Drawer, Tote Box & CPU Holder Mounting

Drawers and Tote Boxes are mounted using two steel strip drawer hangers which slide inside the worksurface support beams. Drawers should be installed before the worksurface assembly is mounted on the system. If the worksurface assembly is already in place, it should be removed for drawer installation.

The worksurface is placed face down with one worksurface support bracket and two support beams loosely fastened to the top.

For ease of assembly the drawers can be removed by releasing the disconnects on both sides of the slides and pulling the drawer forward to separate the slides. Fasten the two hangers (threaded inserts facing away from the drawer housing), loosely to the housing using the four 1/4"-20 x 1" machine screws provided. Slide the drawer hangers into the open end of the worksurface support beams. Install the remaining worksurface support bracket and tighten all hardware.



## Upright Trim

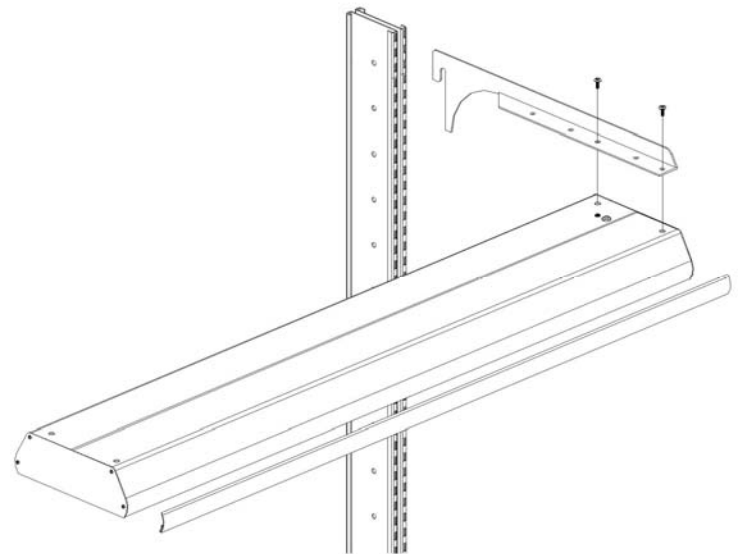
Mount the two trim strips provided with a starter assembly one on each end of assembled system, by aligning trim with top of column and pressing it into place down the length of the column. Inside trim should be installed after light placement (so the power cord may be concealed between the trim and column), but before other accessories.

## Fluorescent Fixture

Remove the screws from the top of the light housing. Place the brackets as shown below and replace the screws. Mount the assembly at the desired height of the column. Ensure the brackets are properly seated by lifting the front edge of the light until the brackets fall into their seated position. Route the power cord down the inside of the column and cover with accent trim.

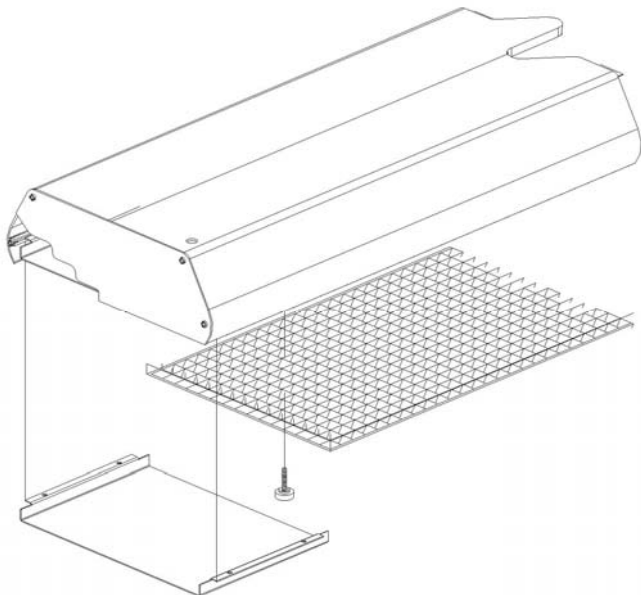
## Parabolic

The 36" and 48" parabolics are installed using the two cap screws provided. The 60" & 72" parabolics are installed by first putting the end plates in place, by inserting it into the extruded slot of the light fixture. With both end plates in place, the parabolic may then be installed using the two cap screws provided.



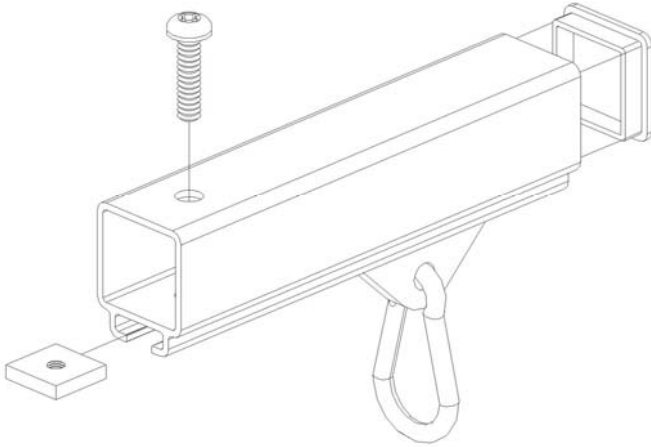
## Light Trim

Start installing at one end of the light. The light trim will fit snugly around the front edge of the light housing. With one end in place, slide your hand along the length of the trim, pushing it onto the light housing.



## Tool Trolley Track

Mounts to light brackets, with or without light. Can be mounted in front of or behind light. Install one of the screws and square nuts provided. Slide tool trolley inside the track. Install the screw and nut at the other end of the track.

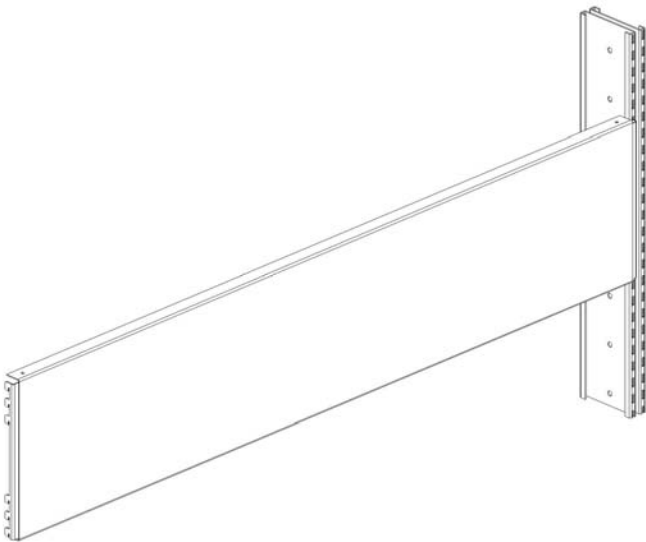


## Micro Slot Accessories

Accessory Cabinet, Tool Box, Shirley Bin, Sloping Document Shelf, to name a few, can be mounted at any desired height along the column.

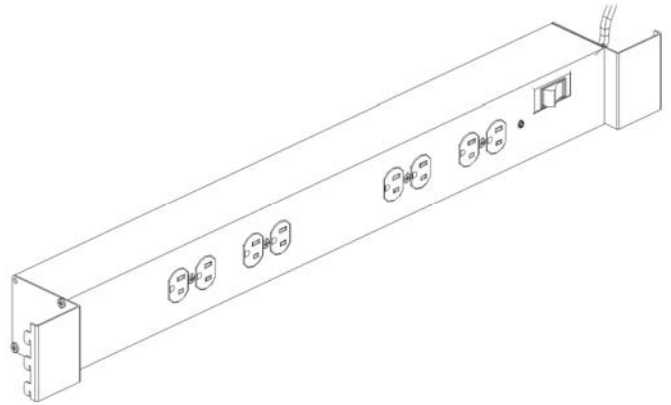
## Modesty Panel

Modesty Panels are hooked into the micro slots at any convenient point on the column. Install both sides of the panel at the same time. Push the panel down to lock it in place.



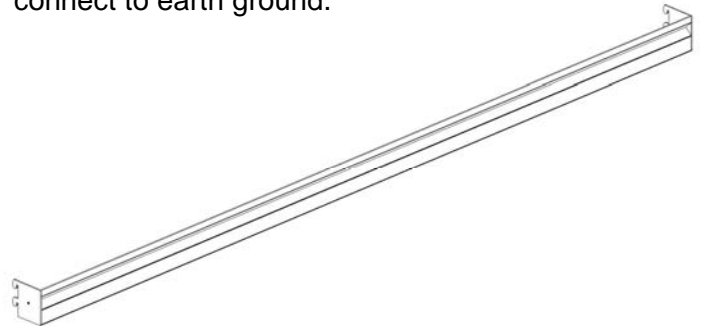
## Power Beam

Power Beams are installed by hooking the brackets into the micro slots. Hook the cord end in first then the opposite end.



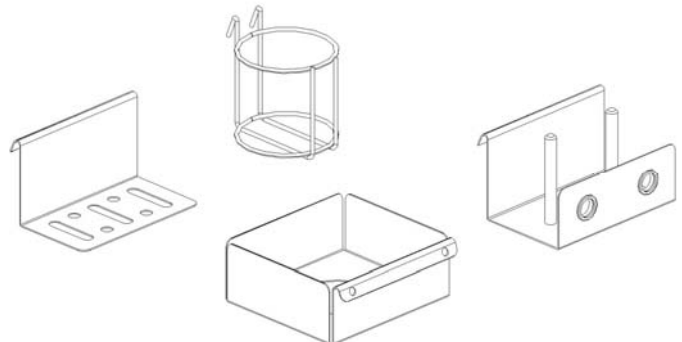
## Parts Bin Rail

Parts Bin Rails accept industries standard bins and are available in 2", 4" and 6" depths for tiered arrangements. Position as required in micro slots. For large heavy bins install a second rail below for support. Parts bin rails may be grounded by installing a ground lead (not supplied) with a screw through the hole in either end of the bin rail and connect to earth ground.



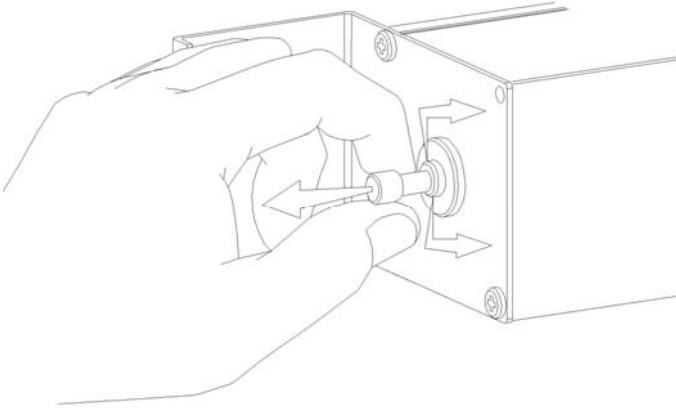
## Parts Bin Rail Accessories

Tool Holder, Bottle Holder, Wipes Holder, and Solder Spool Holder. These hang anywhere along the length of the parts bin rail.



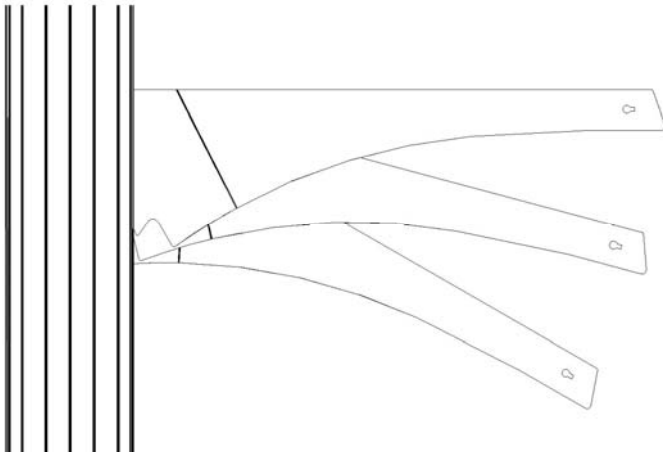
## Air Beam

Air beams are provided with two or three receptacles for 1/4" NPT quick connects. Any receptacles not used with quick connects must be plugged. Each end of the air beam is equipped with a quick connect fitting for 1/4" tube. This allows air beams to be connected in line. You can remove or install the red blanking plug as shown below. Either tubing or blanking plug must be in place to prevent pressure loss. 18" of 1/4" tube supplied.



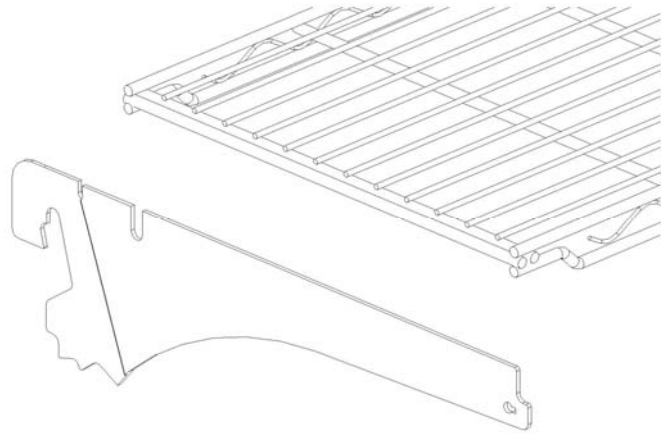
Quick Connect Fitting

Push collar in, at the same time, pull out plug or tubing.



Steel Shelf

This shelf can be mounted in the macro slots anywhere along the height of the column on 3" increments. The slope of the shelf is adjustable to 0°, 15°, or 30°. The shelf may be grounded by installing a grounding lead (not supplied) with a screw through the hole at either end of the shelf and connect to earth ground.

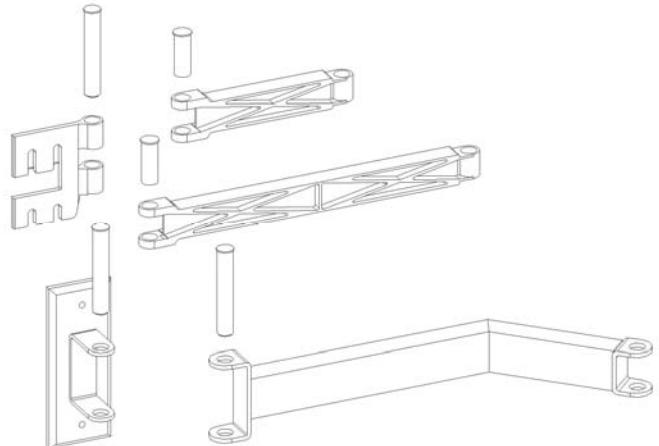


Open Wire Shelf

Position macro brackets in the column at the desired height, with the offset of the brackets facing inwards. Mount the shelf onto the brackets with the wire securely in the slots of the brackets. Shelves may be installed with the lip edges facing up or down. Be sure brackets are properly seated in the columns before loading the shelf.

Swing Arm System

The 8420 and 8423 universal brackets are used to support the swing arm system. The 8420 bracket is installed at the desired height in the macro slot of the column. To prevent the bracket from being accidentally dislodged, a pin is provided that should be inserted through the holes in the embossed side of the bracket and into the column. The 8423 bracket is installed at the desired height on the side of the column, using the three 1/4"-20 x 1 3/8" bolts, washers and lock nuts provided.



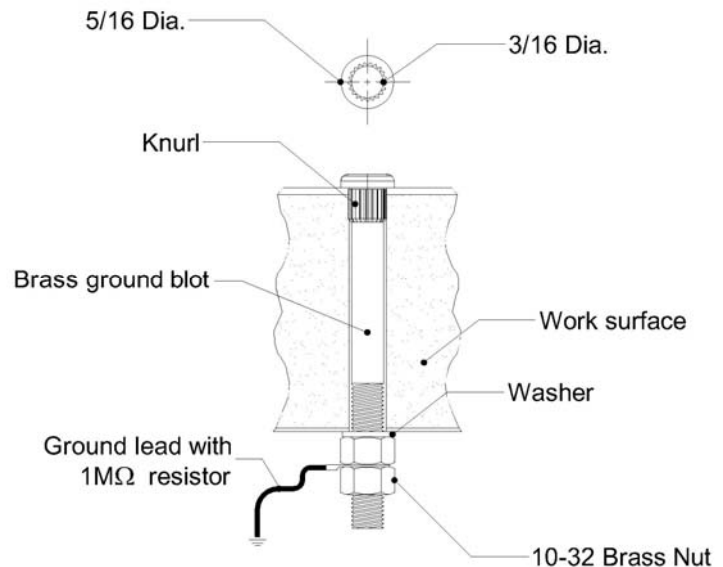


## Grounding Static Protected Worksurfaces

In order to prevent a possible electrical shock hazard to personnel, the static protected laminate should not be directly connected to ground at any point. Recommended grounding procedures suggest installing an in-line 1 MEG OHM current limiting resistor between the static protected laminate and the ground. Electrical (Hydro) grounding circuits may not be at actual ground potential. It is recommended that a separate ground circuit be installed for the static protected worksurface.

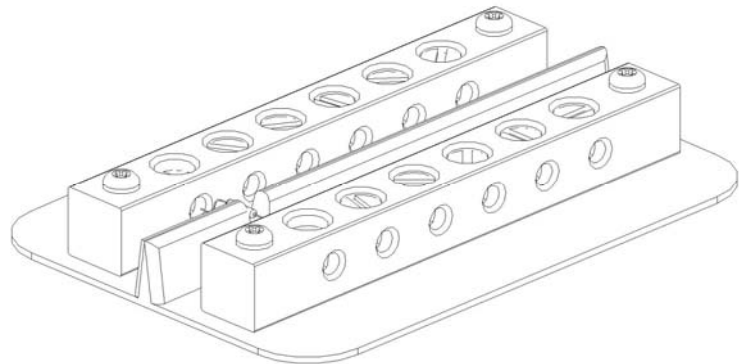
If your worksurface was not supplied with a factory drilled grounding location, use a 7/32" drill bit to drill into the worksurface in the desired location ensuring that no structure will obstruct the bolt. IT IS IMPORTANT TO USE THE CORRECT

SIZE DRILL BIT TO ENSURE PROPER CONTACT WITH THE CONDUCTIVE LAYER. Install the brass ground bolt. Lightly hammer the knurl into the worksurface until the bottom of the bolt head is flush with the laminate. Install washer, brass nut, ground lead, and brass nut as shown. Do not over tighten the nut, snug down firmly to ensure contact between the bolt and the laminate.



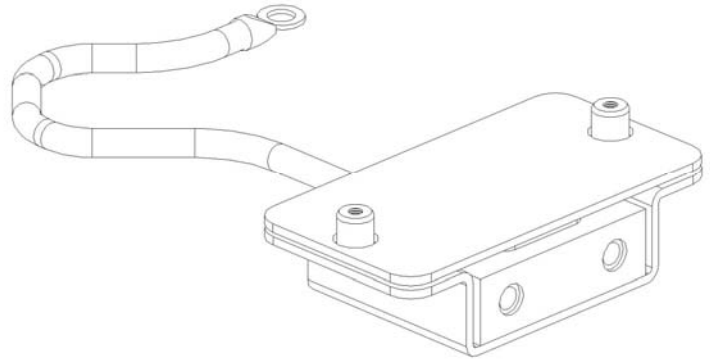
## Common Point Ground Block

The purpose of a common point ground block is to bring all required ground leads to a common ground point. If a common point ground block is required, it should be mounted (using the attached adhesive strips) on the underside of the worksurface in a convenient place, out of the way but accessible from both sides. Note one side of the base is embossed with the indication 1 MEG OHM. All connections made on the other side of the common point ground block will be connected directly to ground. Connect ground leads from the brass ground bolt and the dual wrist strap receptacle to the direct to ground side of the common point ground block. Ground leads from any electrical equipment should also be connected to the direct to ground side. Ground leads from the metal frame of the workstation and/or other metal accessories should be connected to the one mega ohm side of the ground block. Ensure all ground leads are tucked away neatly to prevent accidental disruption of ground connections.



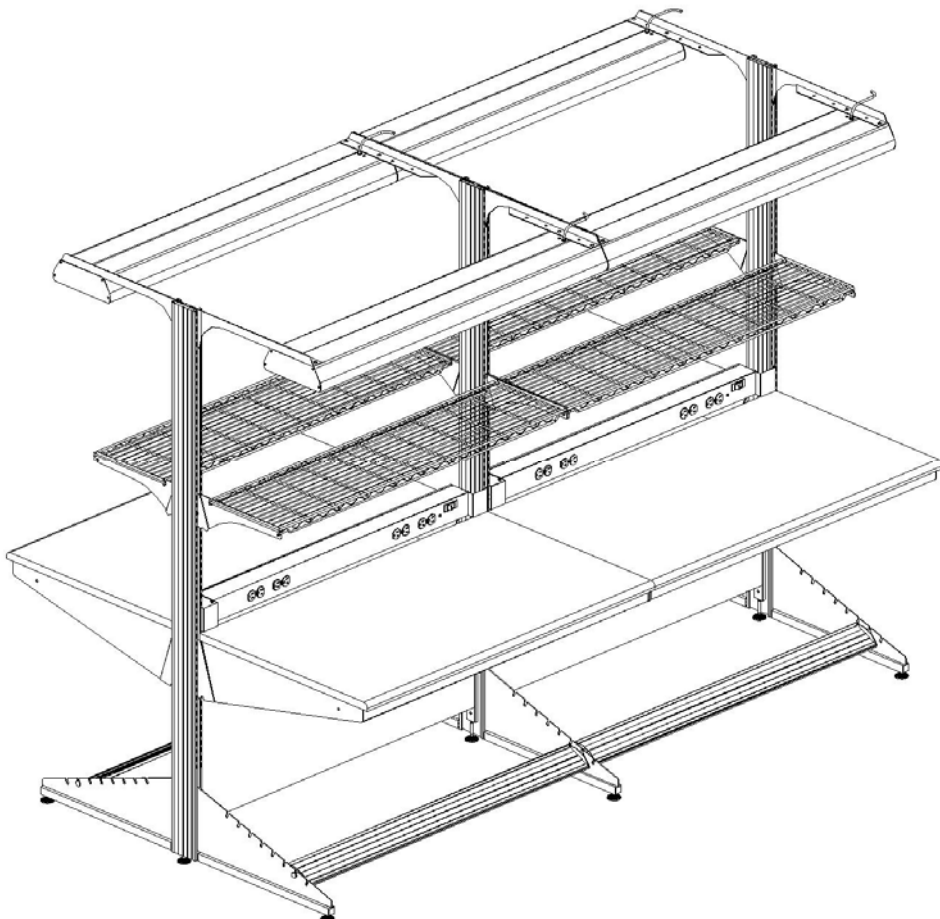
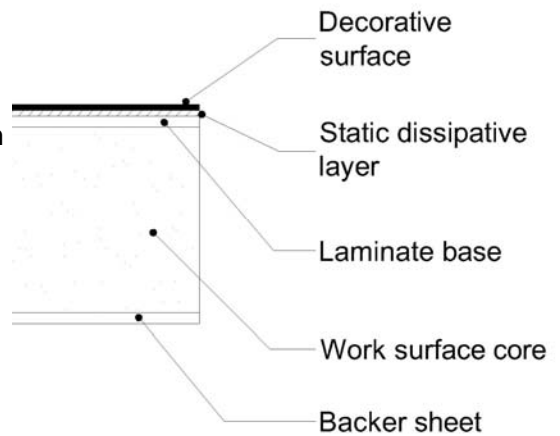
## SC12 Dual Wrist Strap Receptacle

This should be mounted onto the worksurface support beam much like the drawer assembly. Loosely fasten the hanger to the wrist strap receptacle. Slide it into the worksurface support beam and tighten hardware. Attach ground lead to brass worksurface ground bolt. See page 7 for worksurface grounding instructions.



## Laminate Cleaning

The permanent static dissipative layer is embedded below a decorative surface layer. Cleaning may be accomplished with a damp cloth and any non-abrasive detergent cleaner without affecting the electrical properties. Waxes should not be used as they may impair the static dissipation.



Document Number: AS80026

Print Date: May, 2006

This manual is proprietary information of Lista International Corporation. Unauthorized reproduction of any portion of this manual is prohibited without written consent of Lista International Corporation. The material in this manual is for informational purposes only. It is subject to change without notice. Lista International Corporation assumes no responsibility for any typographical errors contained in this manual.

©2006 by Lista International Corporation  
106 Lowland Street  
Holliston, MA 01746-2095

All rights reserved.



**Lista International Corporation**  
106 Lowland Street  
Holliston, MA 01746 USA  
Telephone: (800) 722-3020  
Fax: (508) 626-0353  
sales@listaintl.com  
www.listaintl.com